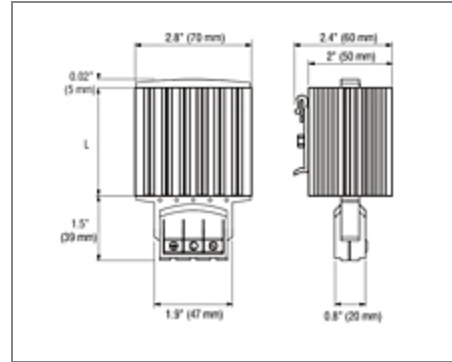
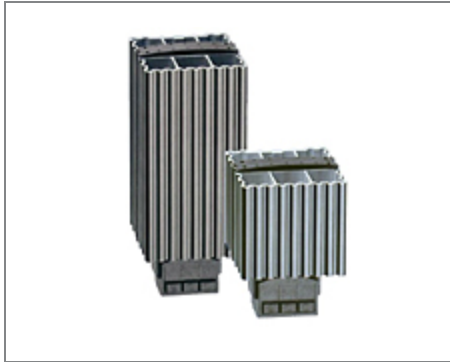




**Stego, Inc.**  
 95 Chastain Road NW  
 Suite 200  
 Kennesaw, GA 30144, USA  
**Toll-Free:** (888) 783-4611 • **Phone:** (770) 984-0858  
**Email:** [info@stegousa.com](mailto:info@stegousa.com) • **Website:** [www.stego-usa.com](http://www.stego-usa.com)

**Part # 14012.0-00, PTC Heater**



[Specifications](#) | [Technical Data](#)

#### Specifications

<b>Power<sup>1</sup></b>	45 W
<b>Voltage</b>	12 - 30 VAC/VDC
<b>Max. Current</b>	4.5 A (inrush)

#### Technical Data

<b>Heating Element</b>	PTC resistor, self-regulating
<b>Heating Body</b>	Anodized extruded aluminum
<b>Connection</b>	Push-type terminals for stranded and solid wire 3 x AWG 20-16 (0.5-1.5 mm <sup>2</sup> )
<b>Mounting</b>	Clip for 35 mm DIN rail (EN 60 715)
<b>Position</b>	Preferably vertical
<b>Dimensions</b>	4.3 x 2.8 x 2.4 inches (104 x 70 x 60 mm)
<b>Weight</b>	7.6 oz (215 g)
<b>Operating/Storage Temperature</b>	-49 to 158 °F (-45 to 70 °C)

<b>Protection Type</b>	IP20
<b>Protection Class</b>	I (grounded)

<sup>1</sup> at 68° F (20° C) ambient temperature